

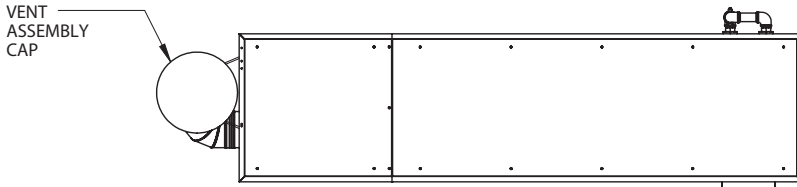
# KN26X+

Category II or Category IV Appliance  
(see Installation and Operation Manual for venting information)

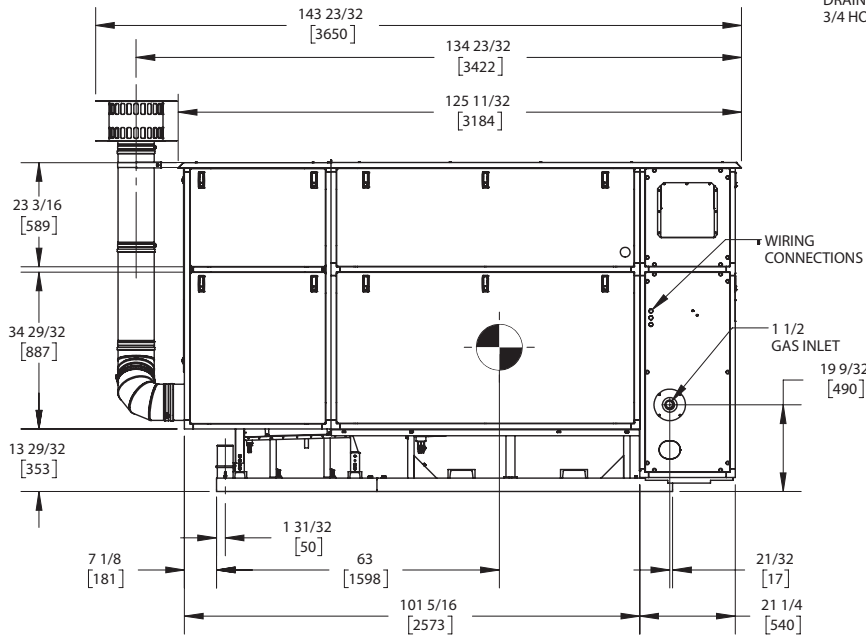
## CODE OPTIONS

CSD-1	STANDARD
-------	----------

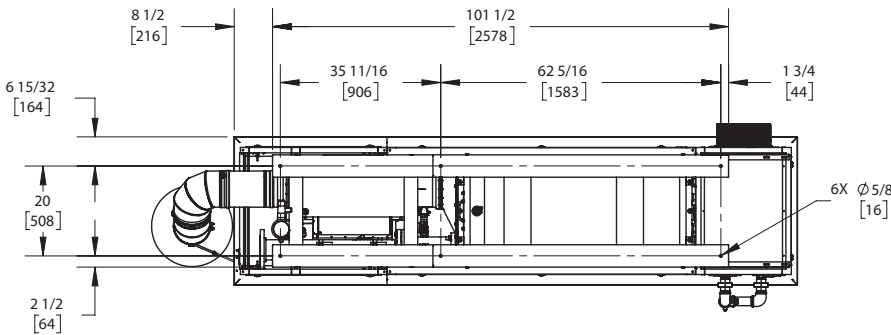
## OUTDOOR UNIT



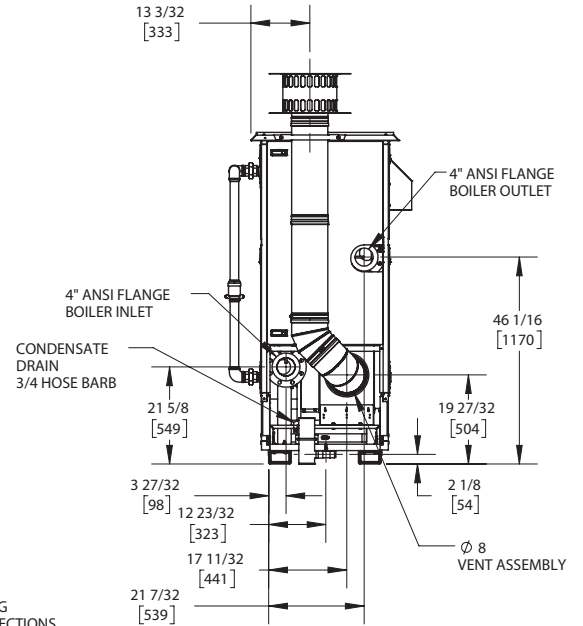
TOP VIEW  
ASUB-00066\_B



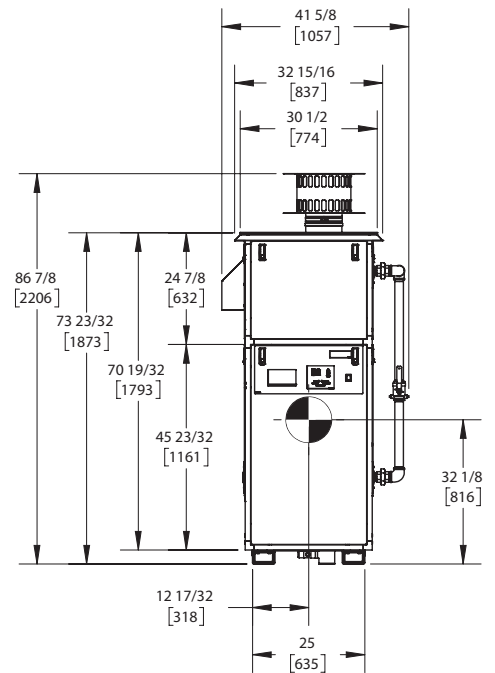
SIDE VIEW  
ASUB-00066\_B



BOTTOM VIEW  
ASUB-00066\_B



REAR VIEW  
ASUB-00066\_B



FRONT VIEW  
ASUB-00066\_B

NOTES:

1. SYMBOL INDICATES CENTER OF GRAVITY.
2. DIMENSIONS ARE NOMINAL AND SUBJECT TO MANUFACTURING VARIATION AND SHOULD NOT BE USED FOR "ROUGHING IN".
3. ALL DIMENSIONS ARE INCHES [mm].



## A.G.A. CERTIFIED RATINGS & CAPACITIES

<b>Fuel Type</b>	Natural/LP Gas	<b>Boiler FLA</b>	11.3 A*
<b>Input BTU/hr.</b>	2,600,000 / 762 KW	<b>Min. Gas Pressure Required</b>	3" W.C.
<b>Output BTU/hr.</b>	2,483,000 / 728 KW	<b>Max. Gas Pressure Allowed</b>	14" W.C.
<b>Boiler HP</b>	74.2	<b>Water Volume</b>	31.9 gal.
<b>Electrical Requirements</b>	230VAC/60 hz/3PH	<b>Operating Weight</b>	3840 lbs. / 1742 kg.
<b>SCCR Rating</b>	5kA		

## BOILER TRIM & CONTROLS

<b>Main Gas Valve</b>	Dungs MBC	<b>Air Switch</b>	Huba
<b>Firing Valve</b>	1-1/2" Apollo	<b>Flow Sensor</b>	SIKA
<b>Ignition Control</b>	Honeywell RM7895C	<b>Blocked Flue Switch</b>	Cleveland NS2
<b>Operating Control</b>	HeatNet®	<b>Blower Motor</b>	Ametek
<b>High Limit (Manual Reset)</b>	Honeywell L4006E	<b>L.W.C.O.</b>	800
<b>High Limit (Auto Reset)</b>	Honeywell L4006A	<b>Relief Valve</b>	30, 50, 75 & 100 PSI
<b>Main Ball Valve</b>	1-1/2" Apollo	<b>Pilot Regulator</b>	Maxitrol RV12LT
<b>Pilot Cock</b>	1/4" Conbraco		

## A.S.M.E.

<b>ASME Sect IV Fire Side Htg Surface</b>	542.4 Sq. Ft. / 50.4 Sq. M.	<b>Design Data</b>	100 PSI & 250°F
<b>ASME Sect IV Water Side Htg Surface</b>	111.7 Sq. Ft. / 10.4 Sq. M.		
<b>CV. GPM (1PSID)</b>	222		

\*Add circulator amps.

## TEMPERATURE RISE / PRESSURE DROP (Based on Full Input)

20°F / 11.1°C				40°F / 22.2°C				60°F / 33.3°C				80°F / 44.4°C				100°F / 55.5°C			
Flow Rate		Pressure Drop		Flow Rate		Pressure Drop		Flow Rate		Pressure Drop		Flow Rate		Pressure Drop		Flow Rate		Pressure Drop	
GPM	L/s	Ft	kPa	GPM	L/s	Ft	kPa	GPM	L/s	Ft	kPa	GPM	L/s	Ft	kPa	GPM	L/s	Ft	kPa
248.4	15.67	2.89	8.64	124.2	7.84	.72	2.16	82.8	5.22	.32	.96	62.1	3.92	.18	.54	49.7	3.13	.12	.35

Flow GPM				Temp. Rise** (°F)				Vent Length (Equiv. Ft.)				Air Inlet Length (Equiv. Ft.)			
Min		Max		Min		Max		Min		Max		Min		Max	
49.7		248.4		20		100		6		100		0		100	

\*\*Min/Max delta t reflects boiler operation at full input. For applications requiring operation above/below these parameters please consult factory.

<b>REP FIRM</b>	_____	<h1>KN26X+</h1> <p><b>Category II or Category IV Appliance</b> (see Installation and Operation Manual for venting information)</p>  <p>A Division of Mestek, Inc. Westfield, MA 01085 (413) 564-5515</p>
<b>SUBMITTED BY</b>	_____	
<b>JOB NAME</b>	_____	
<b>ARCHITECT</b>	_____	
<b>ENGINEER</b>	_____	
<b>CONTRACTOR</b>	_____	
<b>DATE</b>	_____	